

ART-U



COMFORT BECOMES ART

“ Rewrite the rules of comfort,  
follow your inspiration with ART-U. ”

## Design-driven innovation for the comfort of interiors.

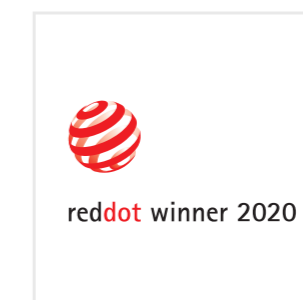
ART-U is a next-generation fan coil inspired by the concept of **design-driven innovation**. A new approach to technological development that **Galetti** has applied to the comfort of spaces to be lived every day, through a perfect combination of **performance and aesthetics**. The synthesis of an **all-Italian vocation** that Galetti has applied to the field of air conditioning, via a product with unprecedented potential for customisation.

Galetti has always focused on the **technical personalisation** of its products according to the customers' specifications, in order to guarantee flexibility and a reactive response to their needs. The result is a **product on the cutting edge in terms of reliability, performance, and energy efficiency**.

For the hydronic indoor unit market, **technical innovation** is mandatory, but not sufficient. This is why ART-U is a product of impeccable construction quality and technical performance and has generated **great interest in the field of interior architecture**, embracing, for the first time, the latest trends in **furnishings and interior design**.

The goal achieved is highly ambitious: **ART-U is a new concept of fan coil** with a very small footprint that has been designed as a platform with which it is possible to interact by means of customisations by the interior designer.

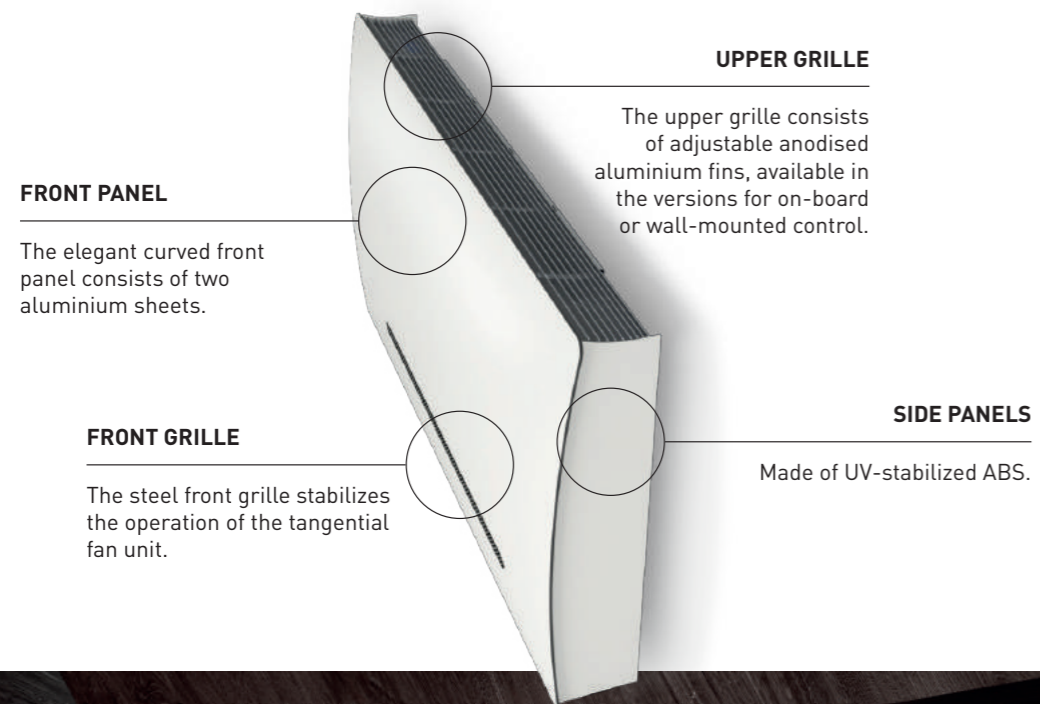
Its evolution has just begun but has already gained important endorsements, winning over the judging panels of two of the most prestigious international industrial product design awards.



# ART-U Fits perfectly

ART-U is the perfect fan coil for the perfect interior. Its versatility opens boundaries to **unique characterisations**, for solutions with great individuality. Air conditioning is now design-addicted thanks to Galletti's innovative fan coil, **up to 10 cm deep**.

*Fan coil and environment in perfect harmony. Every colour is a new inspiration.*



© Studio Effetto



## ART-U GREY

Space for tech design. ART-U Grey, with its elegant front panel made of brushed natural aluminium, stands out in spaces where great ideas are born. **Step into the future of air conditioning.**



## ART-U WHITE

The essence of air conditioning. It can camouflage itself in a white wall, but it cannot hide its enviable performance. **The comfort of the interiors, enhanced by design.**



## ART-U RED

Audacity, character, unmistakable style. ART-U Red is the furnishing element with high air conditioning performance that sets the tone in the most refined interiors. **The heart of the design beats strongly.**



## ART-U BLACK

The Italian-made fan coil that does not fear imitations comes in a black version to give a touch of strong personality to the coolest spaces. **The emblem of elegance in comfort air conditioning.**

COMPONENT	MATERIAL	COLOUR			
		GREY	WHITE	RED	BLACK
Front panel	Aluminium	Brushed natural	White RAL9010	Red RAL3020	Black RAL9005
Front grille	Steel	Black RAL9005	Natural	Black RAL9005	Black RAL9005
Side panels	ABS	Black RAL9005	White RAL9010	Black RAL9005	Black RAL9005
Upper grille	Aluminium	Black RAL9005	Natural	Black RAL9005	Black RAL9005



© Studio Marco Podrini

## ART-U CANVAS We got to work. A masterpiece was created.

The front panel of ART-U Canvas becomes a veritable painter's canvas, ready to be customised with every kind of **colour, graphic, geometry, and photographic image**. An infinite choice of solutions dedicated to interior design experts to create **unique, unprecedented, and iconic spaces**.

With ART-U Canvas, innovation goes hand in hand with imagination. This **intelligent** fan coil with **astonishing capabilities** was created to rewrite the rules of design and inspire customisation extending far beyond its surface.

**An inspiration that knows no boundaries.**

*Infinite styles  
concentrated  
in a soul  
with astonishing  
performance.*

The first fan coil with an innovative customisable front panel. Images, graphics, and RAL, Pantone, and RGB scales. Everything is possible with ART-U Canvas.

© Studio Giovanni Savelli



## It's time to make a mark. Your own mark.

**Attention to detail** is just one of the fundamental aspects of ART-U Canvas. Each fan coil of this version, in fact, can be **unique**. Just like a work of art.

Soon you can enter in ART-U Creator, a special area on the art-u.com website, to **bring to life your idea of design applied to air conditioning**. There is a product for every solution, configuring the style of your interiors has never been so easy.



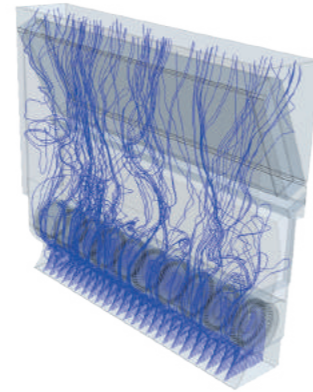
© Studio Giovanni Savelli

Discover the ART-U world .  
Visit [art-u.com](http://art-u.com) now.

## The engine of innovation in a truly remarkable footprint.

### CFD SIMULATIONS

In the design phase of ART-U, by means of Computational Fluid Dynamics (CFD) simulations, it has been possible to **improve heat exchange**, with a consequent **reduction in power consumption and noise emissions** with the same components and under the same operating conditions. In fact, in CFD simulations the swirling movement of the air inside the hydronic indoor unit has been reproduced. The study of the air motion field has allowed the **reduction of fluid recirculation downstream from the fan**, preventing unwanted pressure drops inside the fan coil. The research also focused on improving the air distribution along the longitudinal axis of the fan unit.



### HEAT EXCHANGER

With a high efficiency turbocoil-type heat exchanger, and made with copper tubing and aluminium fins, it is equipped with brass manifolds and a vent valve. The hydrophilic treatment is applied to the fins as a standard treatment, to increase their **efficiency during cooling** while at the same time **providing greater resistance to aggressive environments**.

### INVERTER BLDC MOTOR

The BLDC motor with inverter integrated in the fan assembly is standard on ART-U, ensuring **low power consumption**. The energy savings and consequent reduction in CO<sub>2</sub> emissions, in comparison to traditional 3-speed AC motors, exceeds 70% in seasonal operation.



### EXCEPTIONALLY LOW NOISE

The most frequent situation in the seasonal operation of a fan coil is the one with partial loads where the effective air flow rate is lower than the maximum. It is under these conditions that it is important to assess the acoustic impact of the indoor unit in the air-conditioned space. The sound power of ART-U at the minimum operating voltage of its inverter never exceeds 32 dB(A), thus allowing the fan coil to be **used even in residential areas or hospitality facilities**. In fact, one of ART-U's advantages is its **low noise level**, an essential requirement for installation in bedrooms where it is recommended that sound power not exceed 40 dB(A) so as not to disturb sleep.



© Studio AliMik

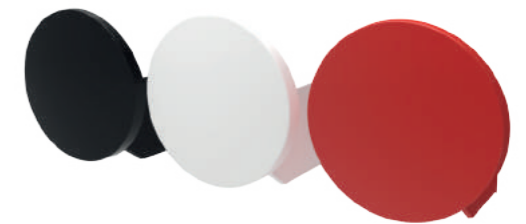
© Studio Giovanni Savelli



### DISC-COVER

#### Magnetic fittings cover.

The DISC-COVER fittings cover can be used to **elegantly conceal** the water pipes coming up from the floor. The minimalist style of DISC-COVER is in harmony with the elegant and essential lines of ART-U, helping to make it a **true furnishing accessory**.



Its shape was purposely designed to make **installation quick and easy** even during cleaning and maintenance operations. The magnet coupling system allows its **position to be adjusted** according to the installation height and the position of the pipes.

It is available in three different colours: white RAL9010, black RAL9005, and red RAL3020. DISC-COVER adapts perfectly to the style of the space to be air-conditioned, whether severe and formal or ironic.



The magnet coupling system allows the fittings cover's position to be adjusted according to the installation height and the position of the pipes.

## Controllers and software for intelligent air conditioning management.

Room comfort is guaranteed effectively and intuitively by the **adjustment solution** developed by Galletti. Air temperature and humidity control is quick and precise through the use of advanced microprocessor controls that allow **immediate interaction with ART-U**.



The tap and swipe functions make the EVO-2-TOUCH control experience similar to that of your smartphone.

### EVO

#### Advanced adjustment solutions.

EVO encompasses the best of Galletti adjustment with regard to hydronic indoor units. It has an **intuitive interface** designed to manage the control software and is easy to install, even directly on ART-U. Now also EVO-2-TOUCH is available, the user interface equipped with a 2.8" touch screen, which ensures **ease of use for quick temperature and humidity comfort**. The evolution is completed with the GALLETTI APP to control all fan coil functions via mobile devices.



### MYCOMFORT LARGE

#### Electronic microprocessor controller with LCD display.

Effective room comfort is accessible through a **large LCD with a built-in keyboard** for setting and reading the temperature and humidity values. Wall mounting and also on-board installation for fan coils with a depth greater than 17 cm.



### TED10

#### Simplified electronic controller.

The assignment of the operating modes is **intuitive and easy to apply**, while the supplied accessories make it possible to install the controller directly on ART-U or mount it in its conventional position on the wall.



### GARDA

#### Web server monitoring software for air conditioning systems.

The integrated management of the controllers is completed with GARDA, a monitoring software that makes it possible to achieve **ideal air conditioning adjustment**, with the possibility of monitoring the main system variables to provide information on containing operating costs. The adjustment of the air conditioning becomes **multifunctional and can be accessed at any time**, even from a smartphone.

ART-U			10				20				30			
Speed			1	2	3	4	1	2	3	4	1	2	3	4
Input voltage		V	2,00	5,50	7,00	10,0	2,00	5,50	7,00	10,0	2,00	5,50	7,00	10,0
Total cooling capacity	{ 1 }	kW	0,31	0,71	0,84	1,08	0,58	1,15	1,41	1,76	0,66	1,63	1,97	2,44
Sensible cooling capacity	{ 1 }	kW	0,21	0,56	0,69	0,91	0,41	0,89	1,08	1,36	0,46	1,18	1,44	1,78
FCEER class			C				C				B			
Water flow	{ 1 }	l/h	53	122	145	185	100	198	242	303	113	280	339	418
Pressure drop	{ 1 }	kPa	1	4	5	8	2	6	9	13	2	12	17	24
Heating capacity	{ 2 }	kW	0,29	0,82	1,05	1,40	0,59	1,33	1,60	1,98	0,67	1,78	2,15	2,65
FCCOP class			C				C				C			
Water flow	{ 2 }	l/h	51	143	183	243	103	231	278	345	117	310	374	461
Pressure drop	{ 2 }	kPa	1	4	6	11	2	7	10	14	2	12	17	24
Air flow rate		m <sup>3</sup> /h	40	148	207	312	82	224	287	389	91	302	392	529
Power input		W	4	7	9	14	4	10	12	17	5	11	15	24
Total sound power level	{ 3 }	dB(A)	28	41	46	54	28	41	47	54	28	42	47	54

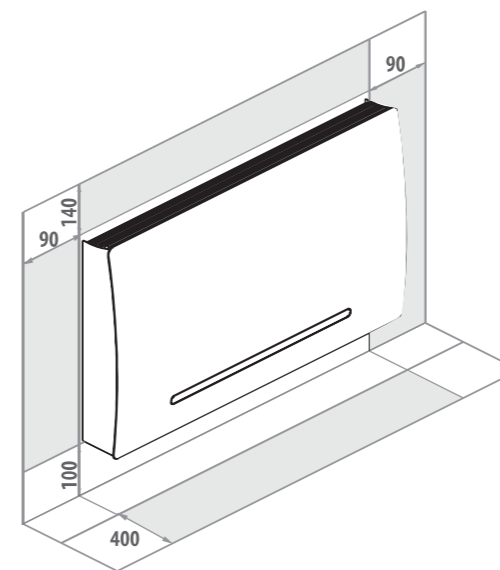
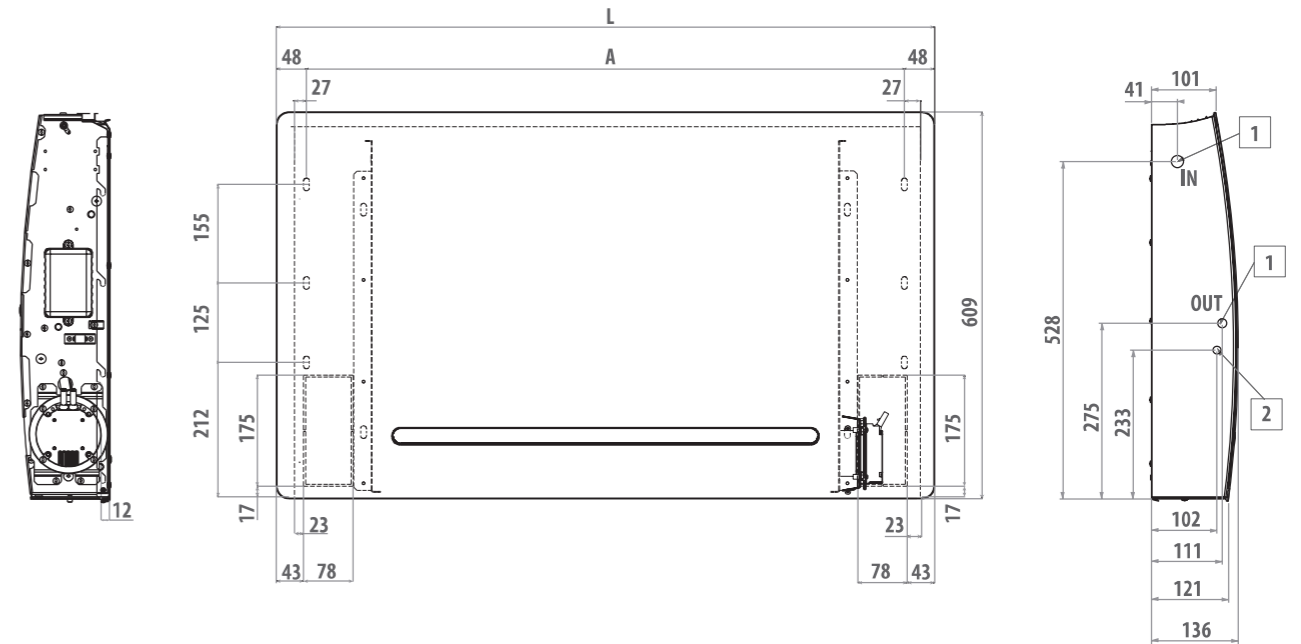
ART-U			40				50			
Speed			1	2	3	4	1	2	3	4
Input voltage		V	2,00	5,50	7,00	10,0	2,00	5,50	7,00	10,0
Total cooling capacity	{ 1 }	kW	0,76	1,84	2,37	3,12	0,92	2,32	2,89	3,69
Sensible cooling capacity	{ 1 }	kW	0,53	1,38	1,77	2,33	0,65	1,72	2,15	2,77
FCEER class			B				B			
Water flow	{ 1 }	l/h	131	315	406	535	157	398	496	634
Pressure drop	{ 1 }	kPa	2	12	18	29	3	13	19	29
Heating capacity	{ 2 }	kW	0,74	1,99	2,49	3,21	0,95	2,56	3,16	4,02
FCCOP class			C				B			
Water flow	{ 2 }	l/h	128	347	433	559	165	446	550	698
Pressure drop	{ 2 }	kPa	2	11	17	26	2	13	19	28
Air flow rate		m <sup>3</sup> /h	104	363	496	724	129	439	587	831
Power input		W	5	12	17	27	5	12	18	30
Total sound power level	{ 3 }	dB(A)	31	42	47	54	32	42	47	54

{ 1 } Water temperature 7-12 °C, air temperature 27 °C dry bulb, 19 °C wet bulb (47 % relative humidity) expressed according to EN 1397:2015

{ 2 } Water temperature 45-40 °C, air temperature 20 °C

{ 3 } Sound power measured according to standards ISO 3741 and ISO 3742

Power supply 230-1-50 (V-ph-Hz)



LEGEND

- 1 - Female water connections standard coil Ø 1/2"
- 2 - Diameter of drain outlet for vertical installation Ø 17 mm

ART-U	H	L	WEIGHT
	mm	mm	kg
10	616	711	12
20	772	867	14
30	941	1036	17
40	1173	1268	19
50	1307	1402	21



“Excellent performance,  
customizable design and  
essential space.  
ART-U is unique and inimitable.”





**Galletti S.p.A.**

Via L.Romagnoli 12/a - 40010 - Bentivoglio (BO) ITALY

Tel: +39 051 8908111 | [art-u@galletti.it](mailto:art-u@galletti.it)

[galletti.com](http://galletti.com) | [art-u.com](http://art-u.com)