

ardente



Low thermal inertia



Low water consumption



Versatility



Easy to stock and install



Working pressure



3 international patents

CE¹⁸



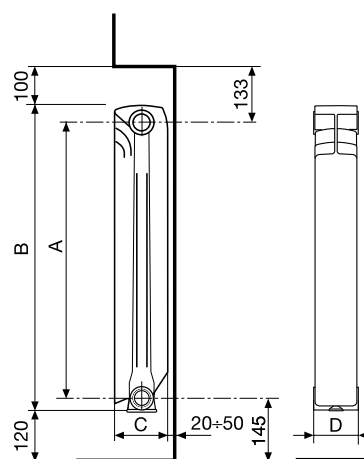
STANDARD SUPPLY:

Available from 3 to 14 sections for centre distance 500 and 600.

COLOUR: Ral 9010 White

Fondital guarantees **ARDENTE C2** for **10 years** from the date of installation against all production defects provided that the heating system conforms with regulations, in compliance with the standards in force and provided that instructions on installation, use and correct maintenance supplied with the product have been observed.

Model	Heat output				
	ΔT 30	ΔT 40	ΔT 50	ΔT 60	ΔT 70
	W/sect.	W/sect.	W/sect.	W/sect.	W/sect.
500/100	57,0	82,4	109,8	138,7	169,0
600/100	66,2	95,7	127,5	161,2	196,5



Model	Code	Depth	Height	Centre distance	Length	Connection diameters	Water capacity	Exponent	Coefficient
		(C) mm	(B) mm	(A) mm	(D) mm	inches	litres/sect.	n	Km
500/100	V639034	97	556	500	80	G1	0,26	1,284	0,724
600/100	V639044	97	656	600	80	G1	0,29	1,285	0,836

Maximum working pressure: 1600 kPa (16 bar)

Characteristic equation of the model $\Phi = Km \Delta T^n$.

The thermal efficiency values shown comply with the European Standard EN 442-1:2014 and are certified by the MRT Lab of the Milan Polytechnic, notified body N°1695.

Article	Code	Description
	A 80 550103	Mounting kit for radiators each containing: 2 zinc-plated, paint-coated reducers 1/2"G. Rh; 2 zinc-plated, paint-coated reducers 1/2"G. Lh; 4 retaining gaskets 1 manual air-purging valve 1/2"G with gasket; 1 (1/2"G) plug with gasket
	A 81 550104	Mounting kit for radiators each containing: 2 zinc-plated, paint-coated reducers 1/2"G. Rh; 2 zinc-plated, paint-coated reducers 1/2"G. Lh; 4 retaining gaskets; 1 manual air-purging valve 1/2"G with gasket; 1 (1/2"G) plug with gasket; 3 brackets to be screwed on to the wall
	A 2/1 510011	1"G joining nipple
	A 10/1 530105	Nipple gasket (asbestos-free)
	A 11/1 530108	Gasket for plugs (asbestos-free)
	A 20 550037	Installation kit with two adjustable, coated brackets

